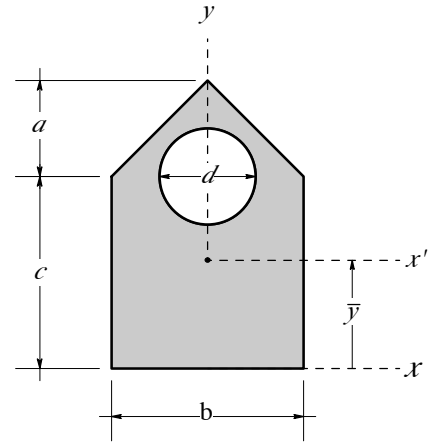


Problem 1

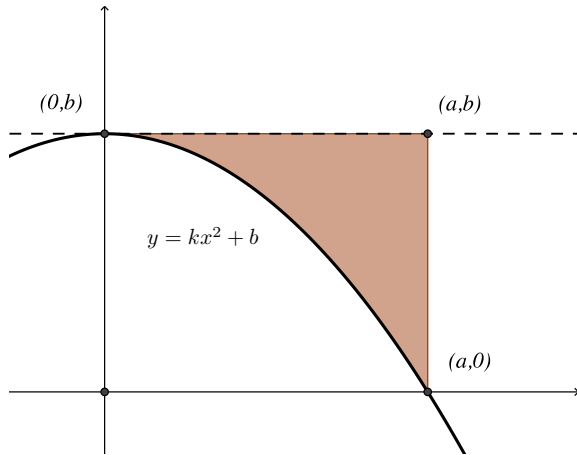
Given: $a = 18$ mm, $b = 45$ mm, $c = 40$ mm, and $d = 20$ mm

- Set up a table and find A , Q_x and \bar{y} .
- Determine the centroidal moment of inertia, $\bar{I}_{x'}$.



Problem 2

Use integration to locate the centroid of the shaded area in terms of the given information.



Problem 3 Determine the moment of inertia and the radius of gyration of the shape shown with respect to the x axis.

