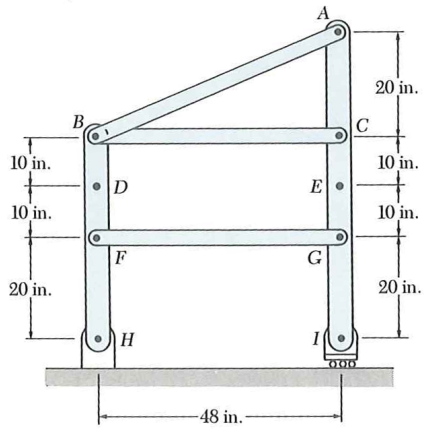


6.61 Determine all the forces exerted on member *AI* if the frame is loaded with a clockwise couple of moment 1200 lb-in applied at point *I*.



Determine the components of the reactions at D and E if the frame is loaded as shown.

