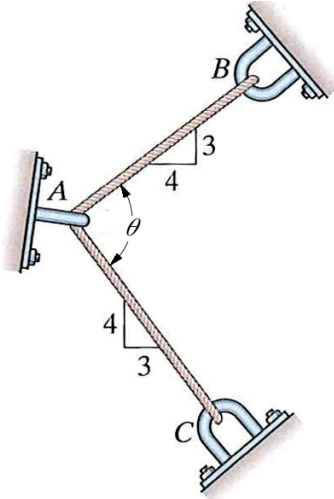
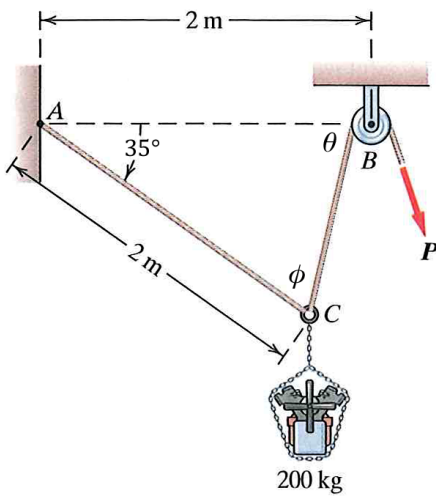


Worksheet Objective: Solve problems using trigonometry. The first three problems can be done in your head if you remember some geometry facts.

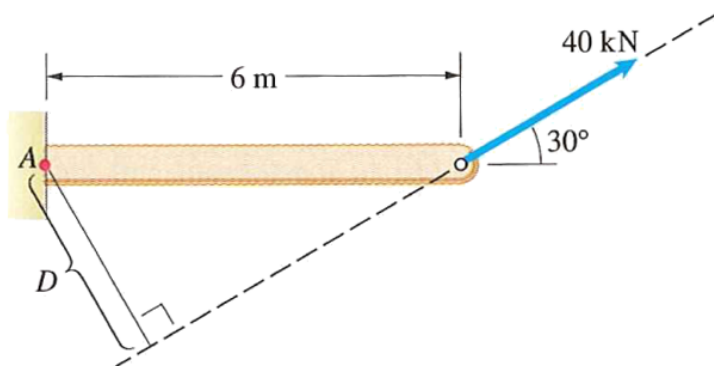
1. Cables AB and AC have the slopes indicated. Determine the angle  $\theta$ .



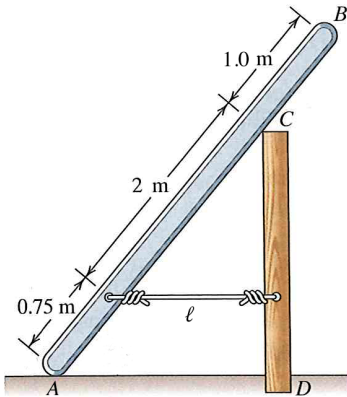
2. Determine the measure of angles  $\theta$  and  $\phi$ .



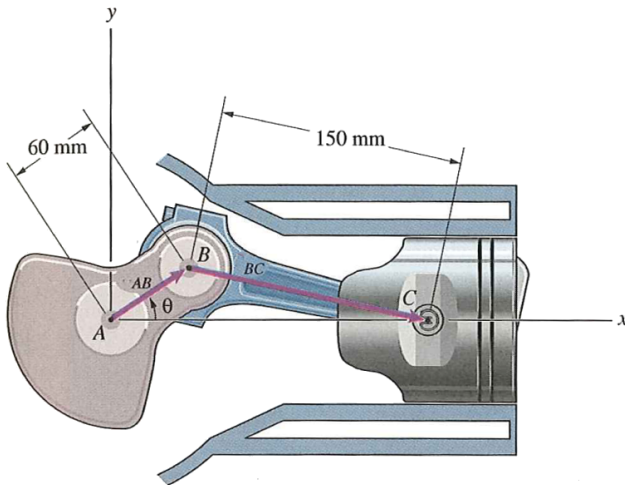
3. Determine the perpendicular distance  $D$ .



4. If the distance between points  $A$  and  $D$  is 1.75 m, how long is the cable?



5. Determine the distance  $AC$  when angle  $\theta$  is  $28^\circ$ .



6. Determine the measures of angles  $A$ ,  $B$  and  $C$ .

