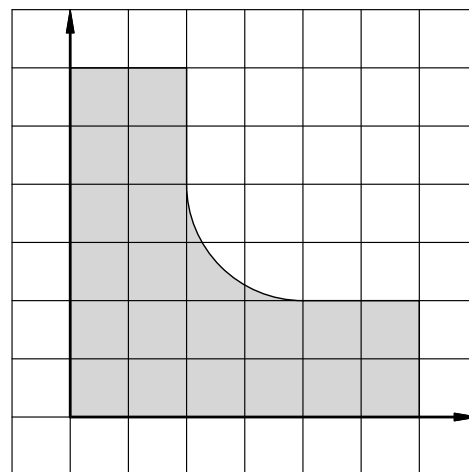
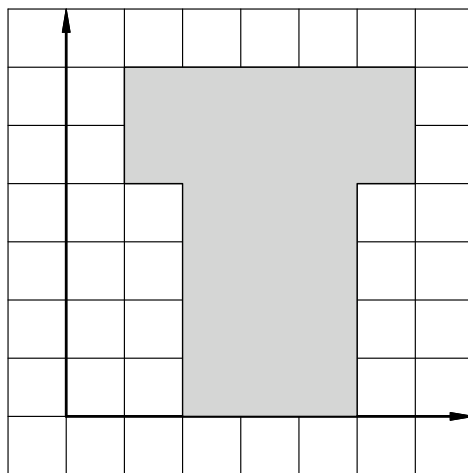
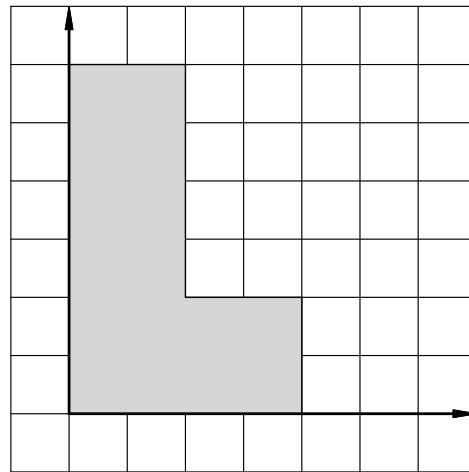
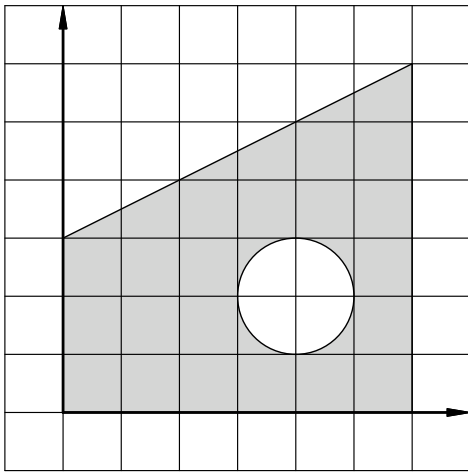


Critical Formulas to remember:

$$A = \sum A_i$$
$$Q_x = \sum \bar{y}A_i$$
$$Q_y = \sum \bar{x}A_i$$

$$\bar{x} = \frac{Q_y}{A}$$
$$\bar{y} = \frac{Q_x}{A}$$

Locate the centroid of each shape:



Use the composite area method to determine the coordinates of the centroid of the shape shown.

