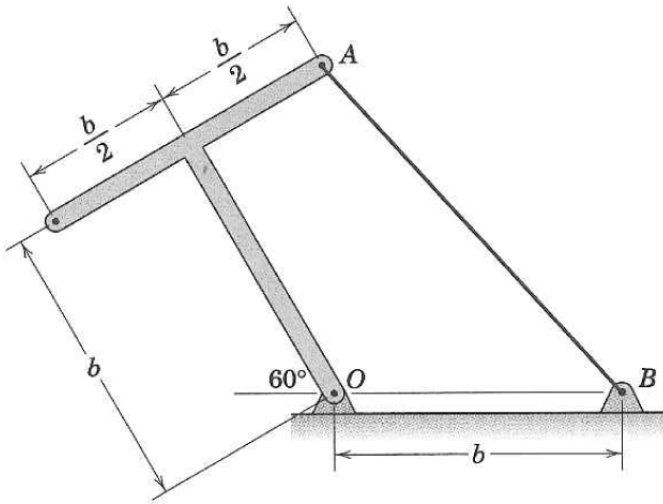


1. The tension in cable AB is 100 N. Determine the moment about O of this tension as applied to point A of the T-shaped bar. The dimension b is 600 mm.



2. Determine the moments of the tension T about point P and point O .

