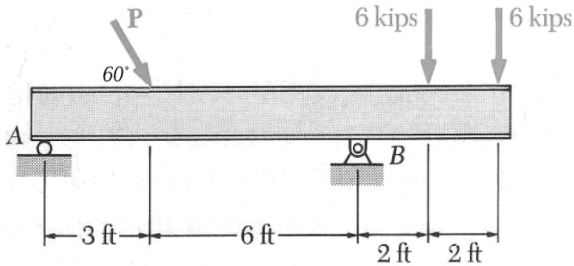
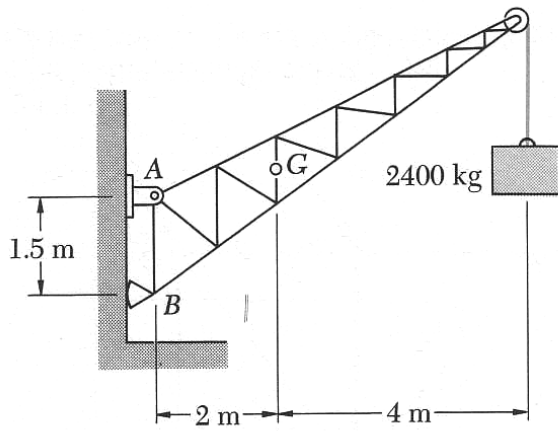


Draw neat, labeled free body diagrams for each of the situations shown. If a force has a known line of action, show it acting along that line.

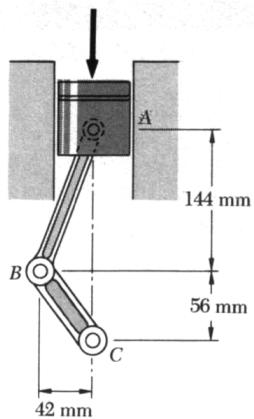
A. Draw FBD of beam with weight W .



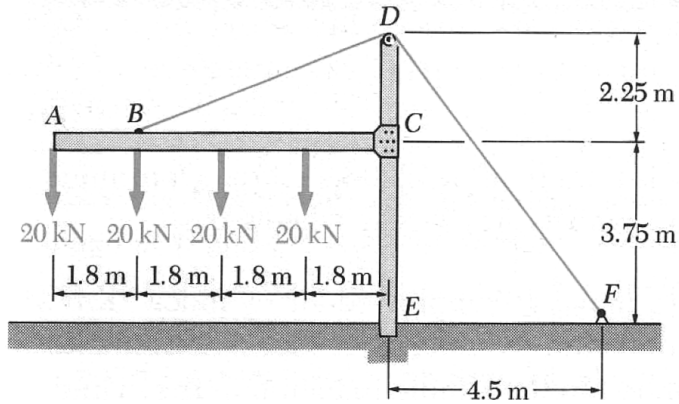
B. Draw FBD of Boom. Weight is non-negligible.



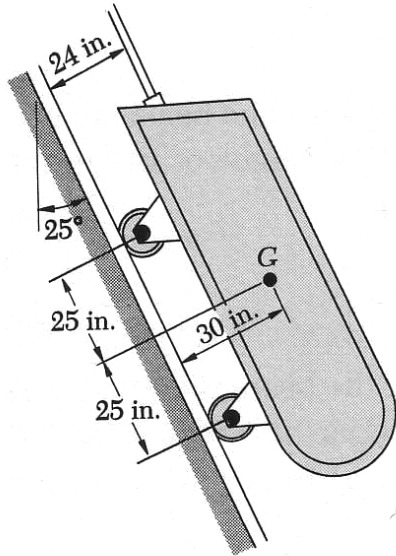
C. Draw FBD of Piston and Crank BC .



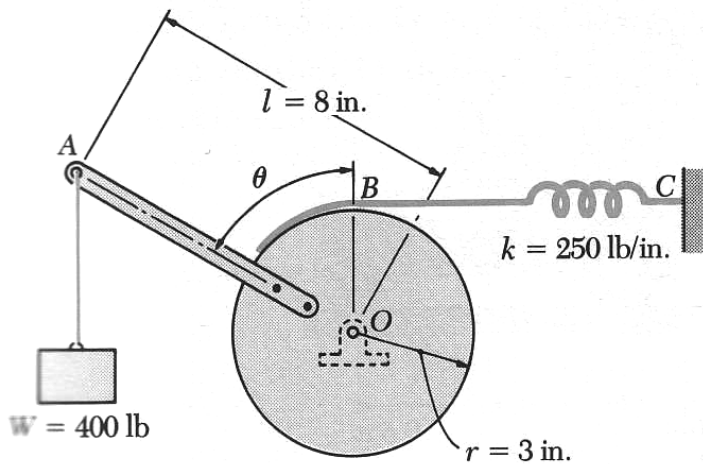
D. Draw FBD of frame $ACDE$.



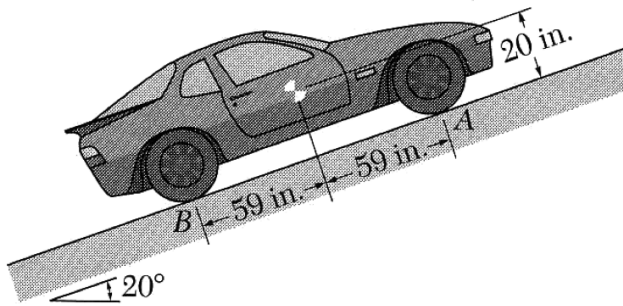
E. Draw FBD of cart of weight W .



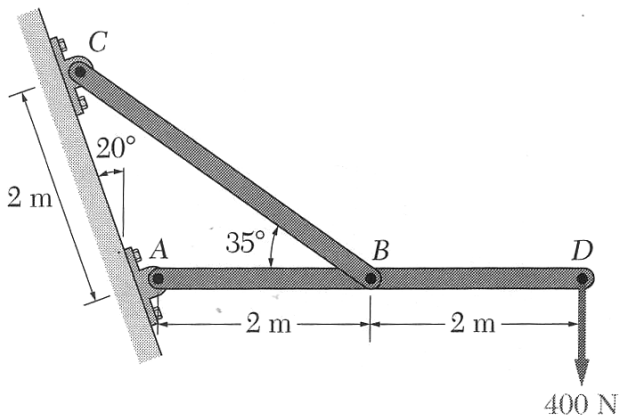
F. Draw FBD of cylinder plus arm A .



G. Draw FBD of car of weight W . Rear brakes are engaged.



H. Draw FBD of member ABD .



I. Draw FBD of 250 N cylinder on the verge of rolling. Surface at A is rough.

